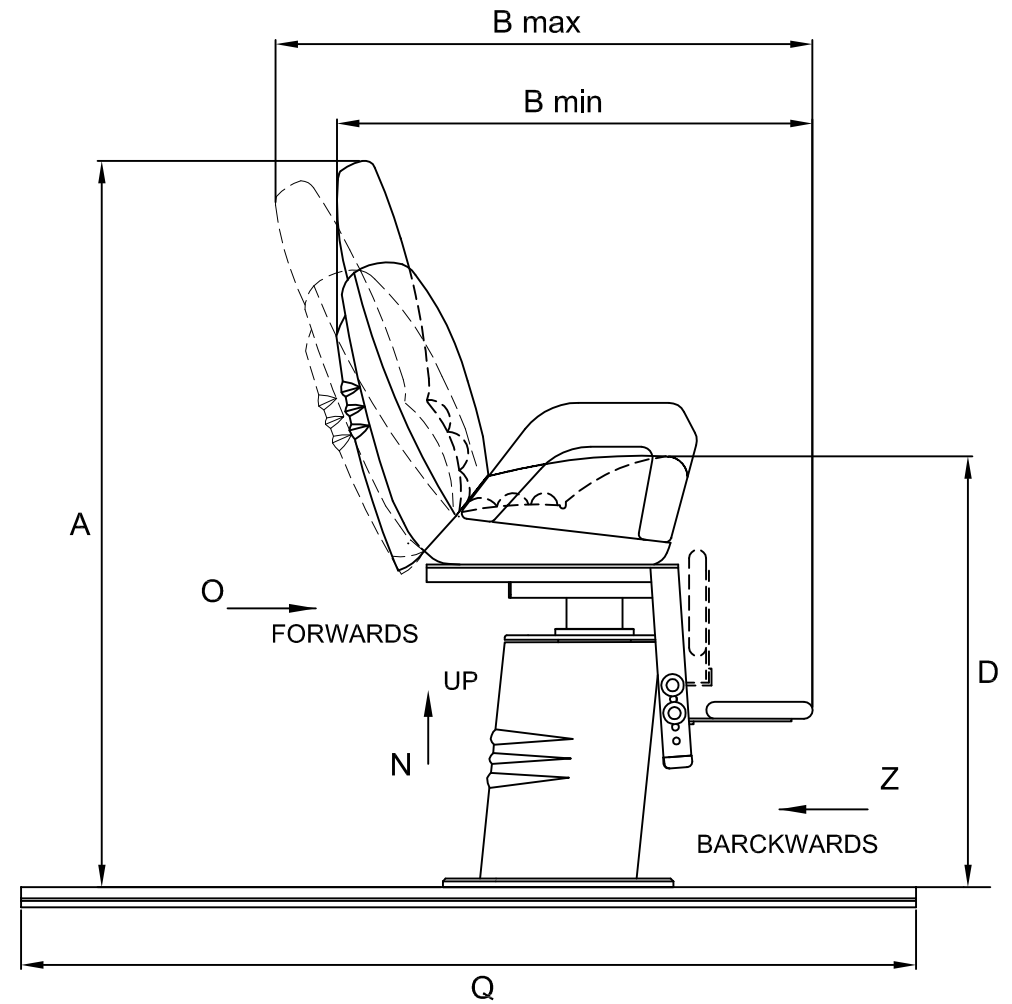
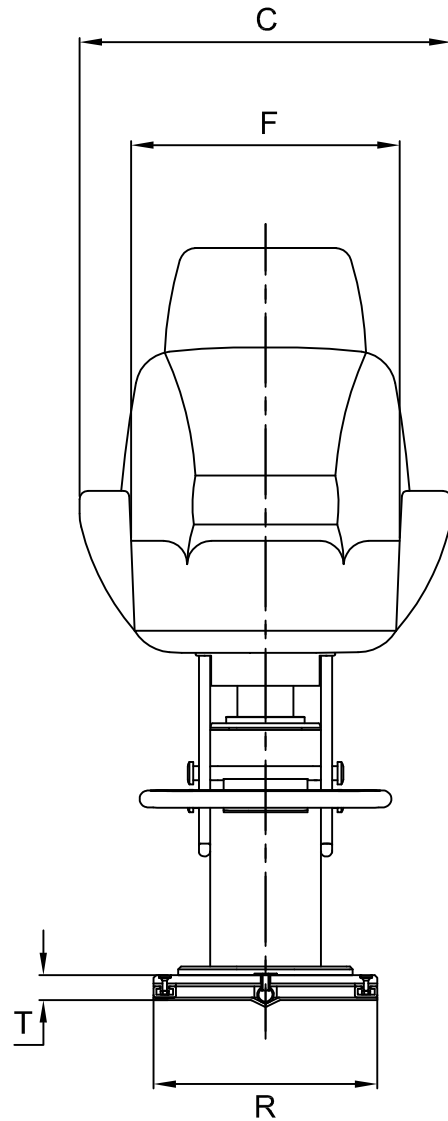


A (mm)	≈ 1290
B (mm)	≈ 850-960
C (mm)	670
D (mm)	770
F (mm)	480
G (°)	90 + 90
N (mm)	250
O (mm)	180
Q (mm)	1000-1600
R (mm)	400
T (mm)	45
Z (mm)	550-1150
Weight (Kg)	80



The padding could vary the sizes of few centimeters



Product

P 219 PRESIDENT PLUS

Automatic Helm Seat